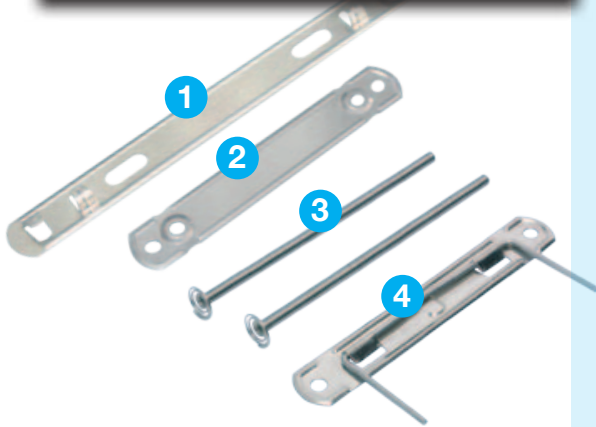
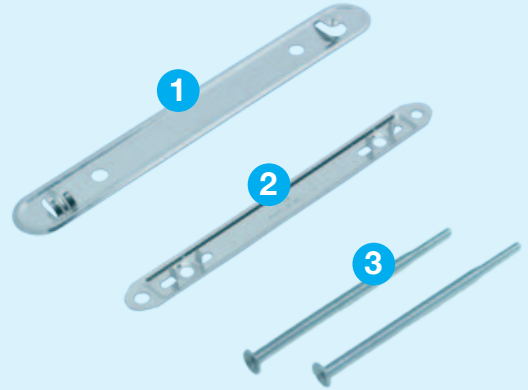


## A-Version Transfer Clip



## B-Version Transfer Clip



### 4-Parts

#### 1) Hollow Spring Compressor Bar

##### Ref. code 66681 (tinned steel)

- Length: 165 mm/6.5"
- Perforation 80 mm/3.15" only
- Packing 2.000 pcs
- Gross weight carton: 20,9 kg

#### 2) Spring Holder

##### Ref. code 66675 (tinned steel)

- Perforation 80 mm/3.15" only
- Packing 3.000 pcs
- Gross weight carton: 21,8 kg

#### 3) Circular Hollow Spring

##### Ref. code 66684

- Bright galvanised wire, length 100 mm/3.94"  
Diameter spring 4 mm/0.16"
- Packing 4.000 pcs (8 x 500)
- Gross weight carton: 19,1 kg

#### 4) Transfer Fitting

##### Ref. code 66496 (tinned steel)

- Length: 114 mm/4.49"  
with 40 mm/1.57" legs
- Packing 1.000 pcs
- Gross weight carton: 12,3 kg

### 3-Parts

#### 1) Hollow Spring Compressor Bar

##### Ref. code 66680 (tinned steel)

- Length: 140 mm/5.51"
- Perforation 80 mm/3.15" only
- Packing 2.500 pcs
- Gross weight carton: 13,0 kg

#### 2) Spring Holder

##### Ref. code 66678 (tinned steel)

- Perforation 80 mm/3.15" only
- Packing 5.000 pcs
- Gross weight carton: 15,8 kg

#### 3) Circular Hollow Spring

##### Ref. code 66682

- Bright galvanised wire, length 60 mm/2.36"  
Diameter spring 4 mm/0.16"
- Packing 4.000 pcs
- Gross weight carton: 19,5 kg

### Strips and Compressors



Self-adhesive. Available in white only.

**Ref. 83210 (with endcaps)**

- Base 150 x 20 mm/5.9" x 0.8"
- 10 Pcs per sheet
- Packing: 3.200 pcs
- Gross weight carton: 18,4 kg

**Ref. 832100 (without endcaps)**

- Base 150 x 20 mm/5.9" x 0.8"
- 10 Pcs per sheet
- Packing: 4.000 pcs (40 x 100)
- Gross weight carton: 19,6 kg

### Strips and Compressors



Self-adhesive. Available in white only.

**Ref. BIS 107**

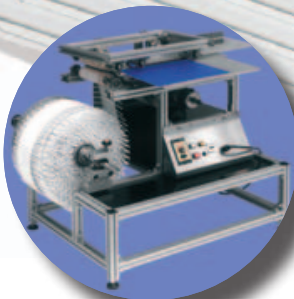
- Base 150 x 20 mm/5.9" x 0.8"
- Plastic coated strip length 145 mm/5.7"
- Plastic compressor length 95 mm/3.74"
- Packing: 4.000 pcs (40 x 100)
- Gross weight carton: 16,7 kg

### One piece Fasteners

Self-adhesive. Available in white only.

**Ref. 83311**

- Length base 95 x 10 mm/3.74" x 0.4"
- Length strip 165 mm/6.5" with end-caps
- Perforation 80 mm/3.15"
- 20 Pcs per sheet
- Packing: 5.000 pcs (10 x 500)
- Gross weight carton: 14,2 kg



## Self-adhesive Base of U-Clip

Self-adhesive Base of U-Clip (horizontal tube)

**Ref. 65857**

- Length 216 mm/8,5"
- Perforation 80 mm/3,15"
- Horizontal vinyl tube ø 2,5 mm/0,10"
- Packing: 5.000 pcs (50 x 100)
- Gross weight carton: 16,5 kg



## Self-adhesive Base of U-Clip

Self-adhesive Base of U-Clip (vertical tube)

**Ref. 65860**

- Overall length tube 109 mm/4,29"
- Perforation 80 mm/3,15"
- Vertical vinyl tube ø 2,5 mm/0,10"
- Packing: 5.000 pcs (50 x 100)
- Gross weight carton: 16,5 kg

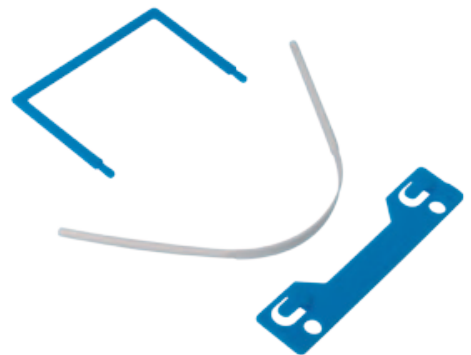


## Plastic U-Clip

3-Part filing clip for archive filing. Re-use your binder by transferring it's content to this U-Clip.

**Ref. 65857**

- U-shaped extension with 80 mm/3,15", perforation only  
Packing: 5.000 pcs | Gross weight carton 8,0 kg
- Tube length 216 mm/8,5", tube ø 2,5 mm/0,1"  
Packing: 10.000 pcs | Gross weight carton 14,5 kg
- Compressor bar with 80 mm/3,15" perforation only.  
Packing: 5.000 pcs | Gross weight carton 12,6 kg



## Quick Files



## Quick Files



With metal compressor bar and sliding holders.

### Ref. QU2

- Available in tinned finish
- Perforation 80 mm/3.15"
- Capacity 50 mm/2"
- Packing: 3.000 pcs (50 x 50)
- Gross weight carton: 15,0 kg

## Plastic Strip Compressor Bar



### Ref. A960C

- Length 250 mm/10"
- 80 mm/3.15" perforation only
- Available in different colours
- Packing: 2.000 pcs (20 x 100)
- Gross weight carton: 13,0 kg

## Metal Slide Bar

**Ref. 1002**

- Slide Bars tinned steel
- Perforation 80 mm/3.15"
- Length 198 mm/7.87"
- Packing: 1.200 pcs per carton
- Gross weight carton: 11,0 kg



## Metal Prongs

**Ref. 4010**

- Prongs tinned steel
- Length 194 mm/6.8"
- Packing: 20 x 1.000 pcs per carton
- Gross weight carton: 37,0 kg

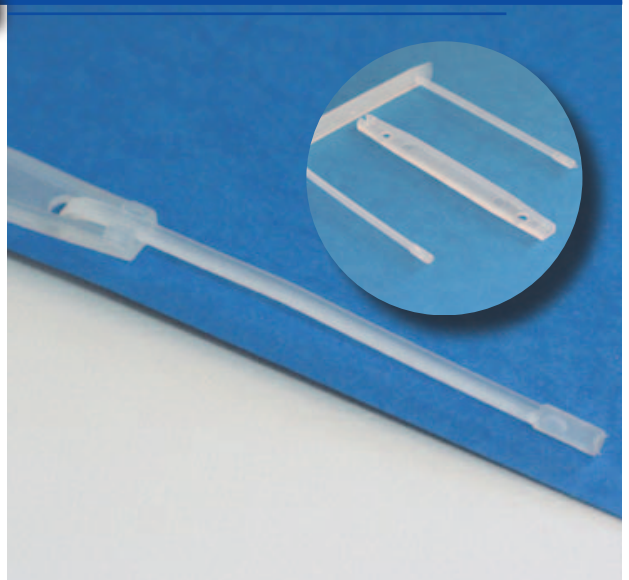


## Plastic Arch Clip

**Ref. 7007**

Two component filing clip.  
Enlarged ends for easy transfer.

- Packing: 1.000 pcs
- Gross weight carton: 6,5 kg



## Plastic File Binding Strips



**Ref. BIS 11F/160 (length 160 mm/6.3")**

**Ref. BIS 11F/200 (length 200 mm/7.87")**

- Plastic coated strip in white, without end caps
- Gross weight carton 11F/160: 18,5 kg
- Gross weight carton 11F/200: 24,5 kg

**Ref. BIS 12F/160 (length 160 mm/6.3")**

**Ref. BIS 12F/200 (length 200 mm/7.87")**

- Plastic coated strip in white, with end caps
- Gross weight carton 12F/160: 20,0 kg
- Gross weight carton 12F/200: 26,0 kg
- Packing: 10.000 pcs (20 x 500)

## Plastic White Compressor Bar



**Ref. BIS 02F/95 (length 95 mm/7.87")**

- Hole centers 80 mm/4.7"
- Packing: 25.000 pcs (5 x 5.000)
- Gross weight carton: 17,5 kg

**Ref. BIS 02F/120 (length 120 mm/6.3")**

- Hole centers 80 mm/4.7"
- Packing: 20.000 pcs (4 x 5.000)
- Gross weight carton: 21,2 kg

## Tooling for Machinery



Tooling is available for TP01 and Junior Electric Machine. Tooling for Rivets, Eyelets and Press Studs.

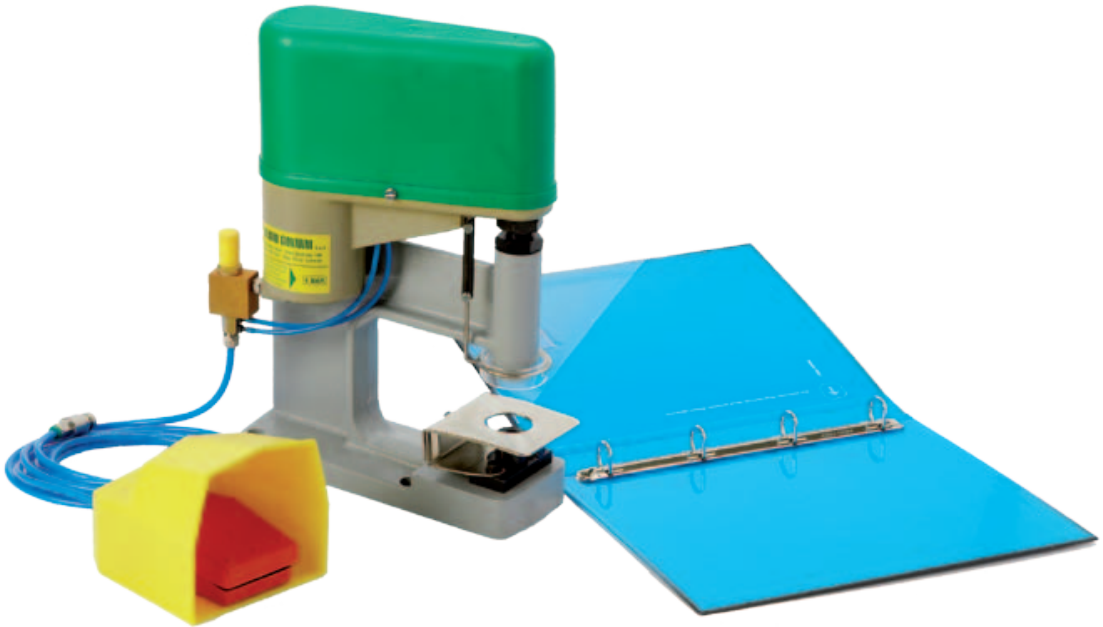
## TP01

### Ref. TP01

Pneumatic Small Press to increase productivity of the normal table hand presses. Tools are available for:

Riveting, hollow punches, small dies for the crimping of wire terminals and special equipment for closing, cutting, riveting etc.

The machine is equipped with a safety valve that, by means of the proper feeler pin, avoids accidental working of the pneumatic cylinder during loading or manual positioning of the pieces.



## Junior Electric Machine

The Junior Electric Machine comes complete with laser positioning for accuracy and is as user friendly as ever. The machine is supplied with its own table and is foot pedal operated. It is a very flexible machine which requires very little space. A single phase power supply is all that is needed for the machine to work.

Brochure available on request.



### Plastic Clamping Rail



Available in black, white and transparent.  
Extension 80/80/80 mm (3.15") and 108/108 mm (4 1/4").

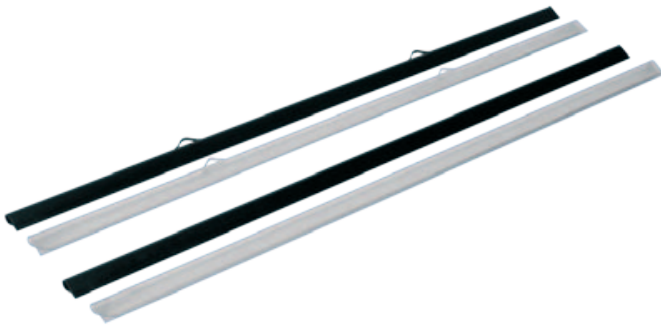
**Ref. BIS 2304**

- Capacity 3-4 mm/.16"
- Packing: 1.400 pcs
- Gross weight carton: 17,2 kg

**Ref. BIS 2306**

- Capacity 5-6 mm/.24"
- Packing: 1.200 pcs
- Gross weight carton: 15,6 kg

### Plastic Clamping Rail | Poster



Available in black, white and transparent.  
All lengths on request.

**Ref. 333-P**

- Two rounded edges
- Rail with 1 or 2 suspenders or without

### Metal rods for hanging files



**Ref. 293 (black ends)**

- 293 x 8 x 0,6 mm, Packing: 1.260 pcs
- Gross weight carton: 14,5 kg

**Ref. 347 (black or white ends)**

- 347 x 8 x 0,6 mm, Packing: 1.260 pcs
- Gross weight carton: 17,0 kg

**Ref. 348 (brown ends with holes)**

- 348 x 10 x 0,55 mm, Packing: 1.140 pcs
- Gross weight carton: 16,9 kg

**Ref. 383 (white ends)**

- 383 x 8 x 0,67 mm, Packing: 1.140 pcs
- Gross weight carton: 19,0 kg

**Ref. 405 (black ends)**

- 405 x 8 x 0,8 mm, Packing: 1.140 pcs
- Gross weight carton: 24,6 kg

## Plastic Magazine Holder White

**Ref. 1250**

- Length 310 mm/12.2"
- Packing: 1.000 pcs (10 x 100)
- Gross weight carton: 12,0 kg

**Ref. BIS1250-7**

Plastic MAG Strip US Style.

- 11.4" x 1" Single Slot MAG Strip 7 holes
- Packing: 1.000 Pcs per bag
- Slot load capacity 4 mm, 0.055 Guage PE White
- For USA 3 ring & Euro 4 ring



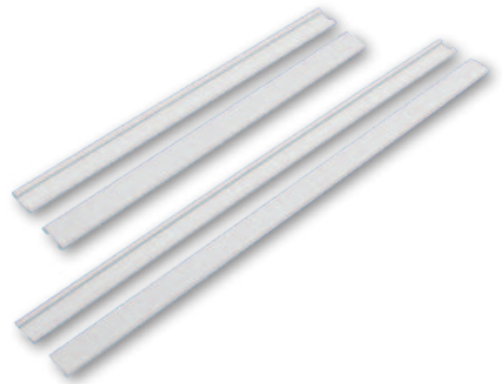
## Plastic Cover Strip White

**Ref. BIS 507/210**

- Length 210 mm/8 1/4"
- Packing: 2.000 pcs
- Gross weight carton: 6,3 kg

**Ref. BIS 507/297**

- Length 297 mm/11.7"
- Length 280 mm/11"
- Packing: 2.000 pcs
- Gross weight carton: 8,8 kg



## Plastic Clamping Rail

Available in black, white and transparent, round corners.

- Length 297 mm/11.7", 280 mm/11"

**Ref. BIS 04**

- Cap. 3-4 mm/.16", Width 15 mm/.59"
- Packing: 1.800 pcs, Gross weight carton: 18,9 kg

**Ref. BIS 06**

- Cap. 5-6 mm/.24", Width 15 mm/.59"
- Packing: 1.400 pcs, Gross weight carton: 16,9 kg

**Ref. BIS 08**

- Cap. 7-8 mm/.16", Width 18 mm/.71"
- Packing: 1.000 pcs, Gross weight carton: 12,8 kg

**Ref. BIS 10**

- Cap. 9-10 mm/.16", Width 15 mm/0.59"
- Packing: 800 pcs, Gross weight carton: 12,4 kg





## Compressor Bar



Compressor Bar for Ring Mechanisms

### Ref. 79030 CB-1

- Length 150 mm/5.91"
- 80 mm/3.15" perforation only
- Packing: 2.000 pcs
- Gross weight carton: 17,0 kg

## Compressor Bar



Compressor Bar for Ring Mechanisms

### Ref. 934B

- Length 113 mm/4.4"
- 65 mm/2.56" perforation only
- Packing: 2.500 pcs
- Gross weight carton: 8,0 kg

## Plastic Compressor Bar



Suitable for different wire thickness.

### Ref. 79040 (Black)

### Ref. 79050 (Semi-transparent)

- Ringcenters 80 mm/3.15"
- Packing: 5.000 pcs (50 x 100)
- Gross weight carton: 16,5 kg

## Plastic Clix White

Suitable for different wire thickness.

### Ref. 70108

- Suitable for 3-Rings Mechanisms
- Available in white
- Ringcenters from 70 mm/2.75" upto 108 mm/4.25"
- Packing: 1.000 pcs
- Gross weight carton: 7,4 kg



## Compressor Clip

### Ref. 931

- Nickel Plated clips.
- Ringcenters from 65 mm/2.6" to 80 mm/3.15"
- Packing: 1.000 pcs
- Gross weight carton: 12,6 kg



## Compressor Bar for Lever Arch

In satin finish with metal or plastic black button.

- Length, 118 mm, 122 mm/4.8" or 130 mm/5.12"
- 80 mm/3.15" perforation only
- Packing: 500 pcs
- Gross weight carton:

**Ref. 79070**-118 mm - metal button 8,4 kg

**Ref. 79075**-118 mm - black button 8,1 kg

**Ref. 79010**-122 mm - metal button 11,7 kg

**Ref. 79020**-122 mm - black button 11,4 kg

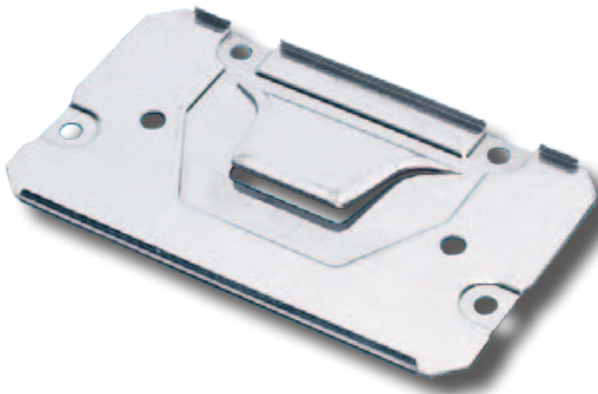
**Ref. 79015**-130 mm - metal button 12,1 kg

**Ref. 79025**-130 mm - black button 11,6 kg





## Slide in Plate for Lever Arch



Slide in Plate for Lever Arch.

- Size 94 mm/3.7" x 4,5 mm/0.18"
- Packing: 1.000 pcs
- Gross weight carton: 18,7 kg

### Ref. 79106

- Rivethole  $\varnothing$  3,8 mm/0.15"

### Ref. 79156

- Rivethole  $\varnothing$  4,5 mm/0.18"

## Metal Slots for Lever Arch



### Metal Slots - Rado Eyelets

- Inside diameter 22 mm/0.87"
- Packing: 12.000 pcs
- Gross weight carton: 18,0 kg

## Finger Rings for Lever Arch



### Ref. 921 Nickel 23.5 or 25 mm

- $\varnothing$  23,5 mm/0.94"
- $\varnothing$  25,2 mm/0.99"
- Packing: 10.000 pcs
- Gross weight carton: 11,0 kg

### Ref. 921 Plastic

Available colours, white, black, red, green, blue, yellow and grey.

- Inside diameter 22 mm/0.87"
- Packing: 1.000 pcs
- Gross weight carton: 1,0 kg

## Slide Rails (edge protectors)

Used to protect the edges of Lever Arch files.

**Ref. 79162**

- 264 x 30 mm
- Packing: 4.000 pcs
- Gross weight carton: 19,8 kg



## Barrier Material

**Elephantide**

A blue paper/cotton material laminated to a polyester film.

**Silicon Rubber**

An off-white flexible rubber coated glass cloth. Excellent non stick properties. Ideal for applications requiring easy release.

**Triflexil**

A green high quality barrier. 'Presspahn' coated both sides. Low shrinkage, recommended for automatic roll fed machines.

**Melinex/Hostaphan**

A milky white polyester film. General purpose barrier with good electrical properties. Available on rolls with a standard length of 50 meters. Other widths on request.

**We also supply:**

- Kapton
- Adhesive Coated PTFE Glass Cloth
- Polyester Barrier Joining/Repair tape



## Eyelets for Lever Arch

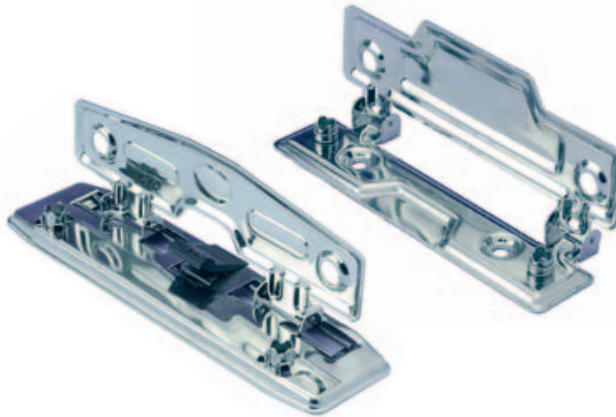


### Eyelets

- Available with open or closed end
- Nickel and black colour

	F5/1	OL33/9/1
	open	closed
A	7.3	8.5
B	3.05	3.1
C	6.9	9.0
Packing	10x10.000	10 x 5.000
Gross weight	25,6 kgs	11,9 kgs

## Metal Perforators for Lever Arch



Used in combination with Lever Arch.

### Ref. 79501

- to rivet into file
- Length 100 mm/3.9"
- Perforation: 80 mm/3.15"
- Packing: 500 pcs
- Gross weight carton: 13,8 kg

### Ref. 79503

- to use as a Compressor bar with Lever Arch files
- Length 113 mm/4.4"
- Perforation: 80 mm/3.15"
- Packing: 500 pcs
- Gross weight carton: 17,2 kg

## Handtool for Rivets



Hardened steel tool for securing rivets.